

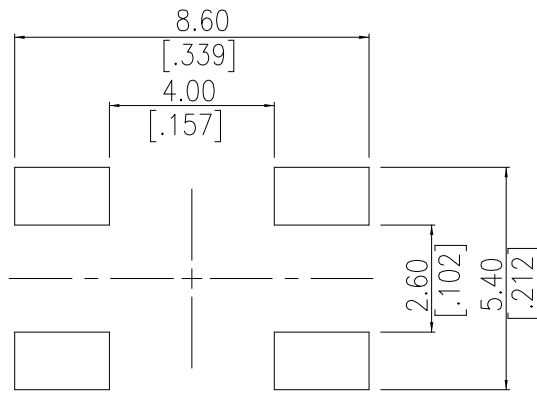
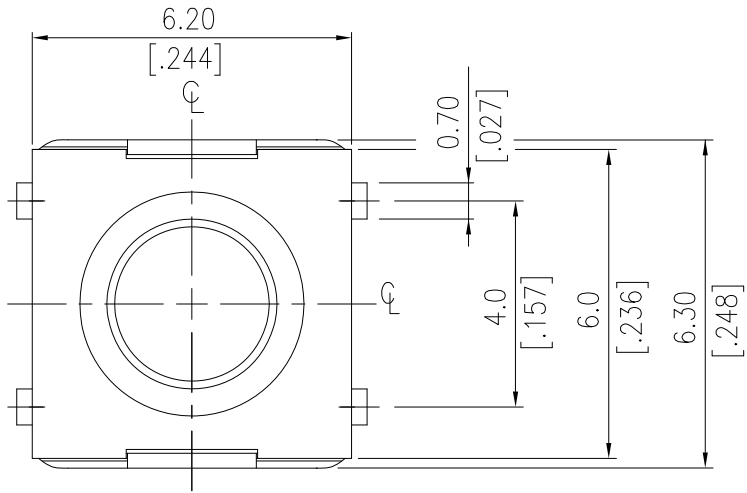


# DTSJW-6 SERIES

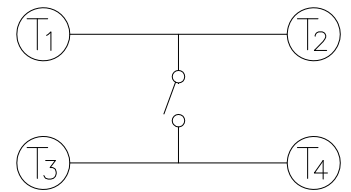


## DIMENSIONS

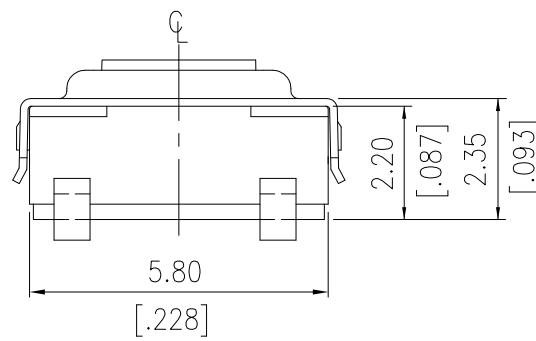
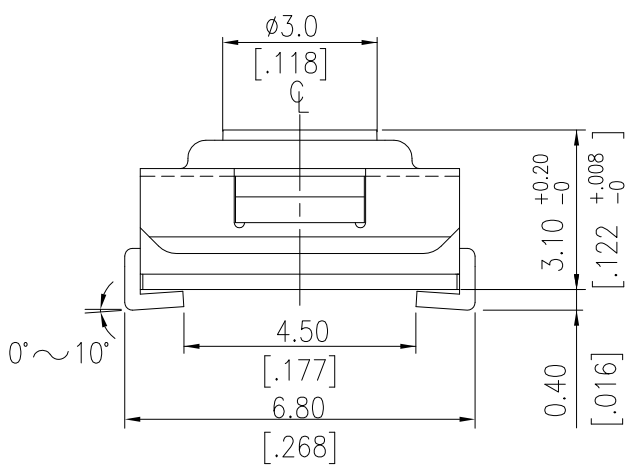
### DTSJW-66



P.C.B. LAYOUT SCALE 8:1

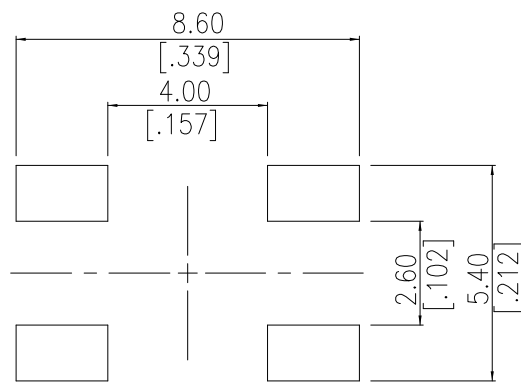
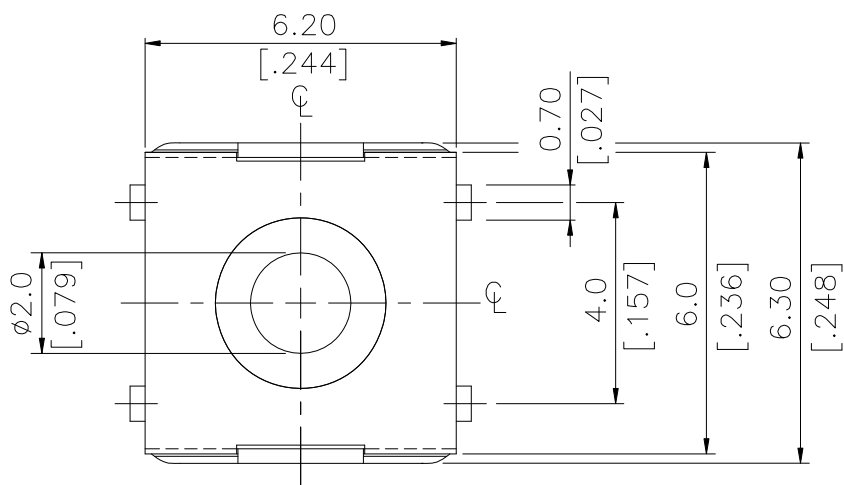


CIRCUIT DIAGRAM

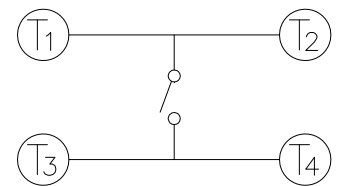


General Tolerance : ±0.2mm

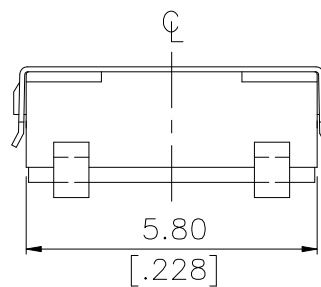
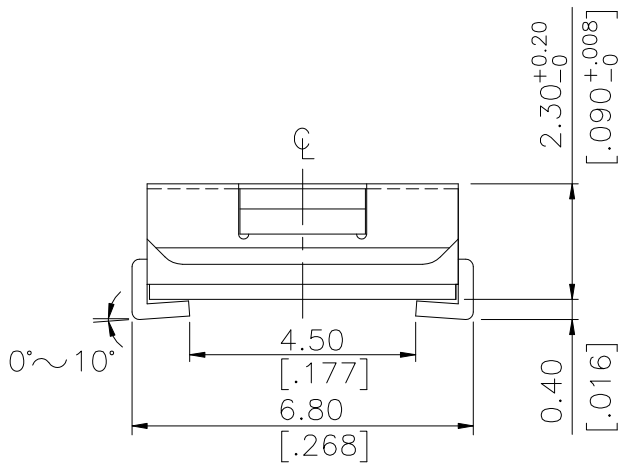
### DTSJW-68



P.C.B. LAYOUT SCALE 8:1

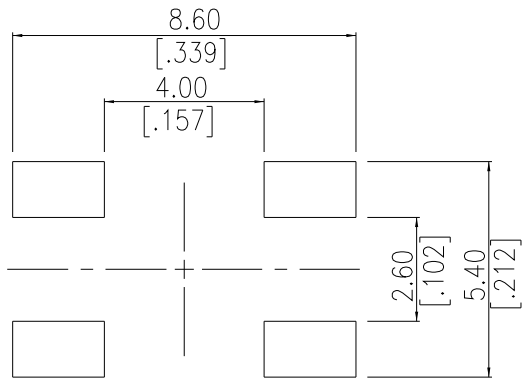
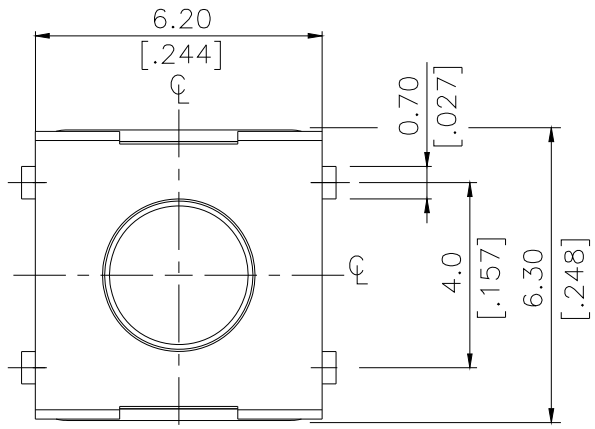


CIRCUIT DIAGRAM

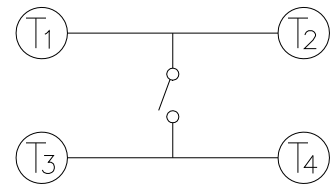


General Tolerance : ±0.2mm

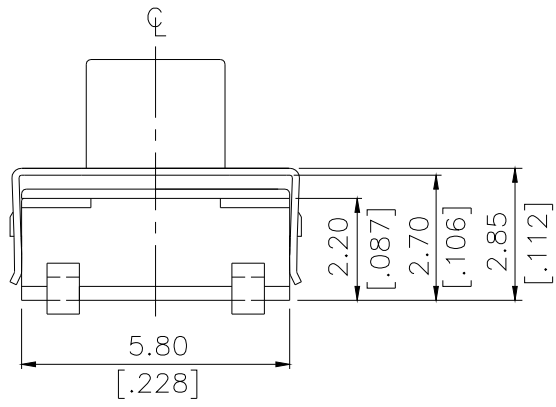
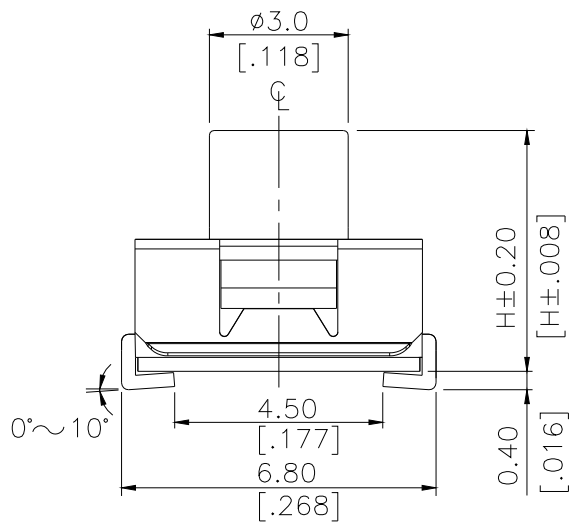
**DTSJW-69.67.65.64**



P.C.B. LAYOUT SCALE 8:1



CIRCUIT DIAGRAM



DTSJW-64□-V	4.5mm[.177]
DTSJW-65□-V	3.5mm[.138]
DTSJW-69□-V	3.8mm[.150]
DTSJW-67□-V	5.2mm[.205]
PART NO:	H

General Tolerance : ±0.2mm

# HOW TO ORDER

DTS J W - 6   -  -

Package Style:  
**B = Tube**  
**T/R = Tape & Reel**

**V=RoHS & Lead Free Solderable**  
**Q=Halogen Free**

Operating Force:  
**▲ N = Brown, 160g (66N)**  
**180gf (69N, 67N, 677N, 65N,64N)**  
**S = Silver, 160gf(68S)**  
**R = Red, 260gf(69R,67R,66R,65R,64R)**  
**T = Transparent, 360gf (69T, 67T,65T, 677T)**

Dimension H:  
**4 = 4.5mm (N,R)**  
**5 = 3.5mm (N,R,T)**  
**6 = 3.1mm (N,R)**  
**7 = 5.2mm (N,R,T)**  
**77 = 7.7mm (N,T)**  
**8 = 2.3mm (S)**  
**9=3.8mm(N,R,T)**

Washable  
**J S.M.T**

## SPECIFICATION

### △MECHANICAL

#### Operation Force:

**360± 90gf, Transparent (T), 69, 67, 65, 677**  
**260± 70gf, Red (R), 69, 67, 65, 64**  
**180± 50gf, Brown (N), 69, 67, 65, 64, 677**  
**160 ± 50gf, Brown (N), 66**  
**160 ± 50gf, Silver (S), 68**

**Stop Strength: Max 3kgf vertical static load continuously for 15 seconds**

**Stroke: 0.25 +0.2/ - 0.1 mm 66N, 66R, 677, 68S**  
**0.45±0.2mm, [67, 65N/R] , [64, 65N/R/T]**  
**0.6±0.2mm, 69, 67T**

**Operation Temperature: -25°C to +70°C**

**Storage Temperature: -30°C to + 80°C**

### △ELECTRICAL

#### Electrical Life:

**500,000 cycles for 69, 67, 65, 64**

**100,000 cycles for 66, 68**

**Rating: 50mA, 12VDC**

**Contact Resistance: 100mΩ max.**

**Insulation Resistance: 100MΩ min. at 500VDC**

**Dielectric Strength: 250VAC/ minute**

**Contact Arrangement: 1 pole 1 throw**

## MATERIAL

△COVER: Stainless steel

△TERMINAL: Brass with silver plated

△BASE: UL94V-0 Nylon High-Temp. Thermoplastic  
**Color: Black**

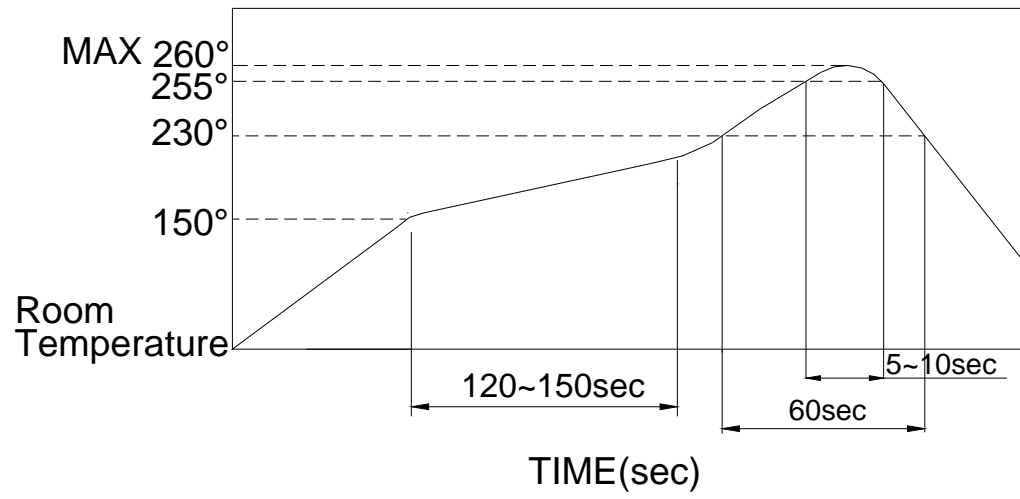
ITEM NO.	DTSJW-66N	DTSJW-68S	DTSJW-69,65,64N(R)	DTSJW-67N(R)T
STEM	High-Temp Thermoplastic Nylon UL94V-0 Color : Brown (N),160gf	None	Silicone Rubber	Silicone Rubber
ADHESIV TAPE	TEFLON	TEFLON(standard) KAPTON(V-option)	None	None
METAL STEM	Brass with Nickel plated	Brass with Nickel plated	None	None
FILLER	None	None	None	Nylon
CONTACT	Stainless steel			

# SOLDERING PROCESS

△HAND SOLDERING : Use a soldering iron of 30 watts, controlled at 350°C approximately max 5 seconds while applying solder.

△SOLDERING : Vapor phase & reflow soldering can be applied

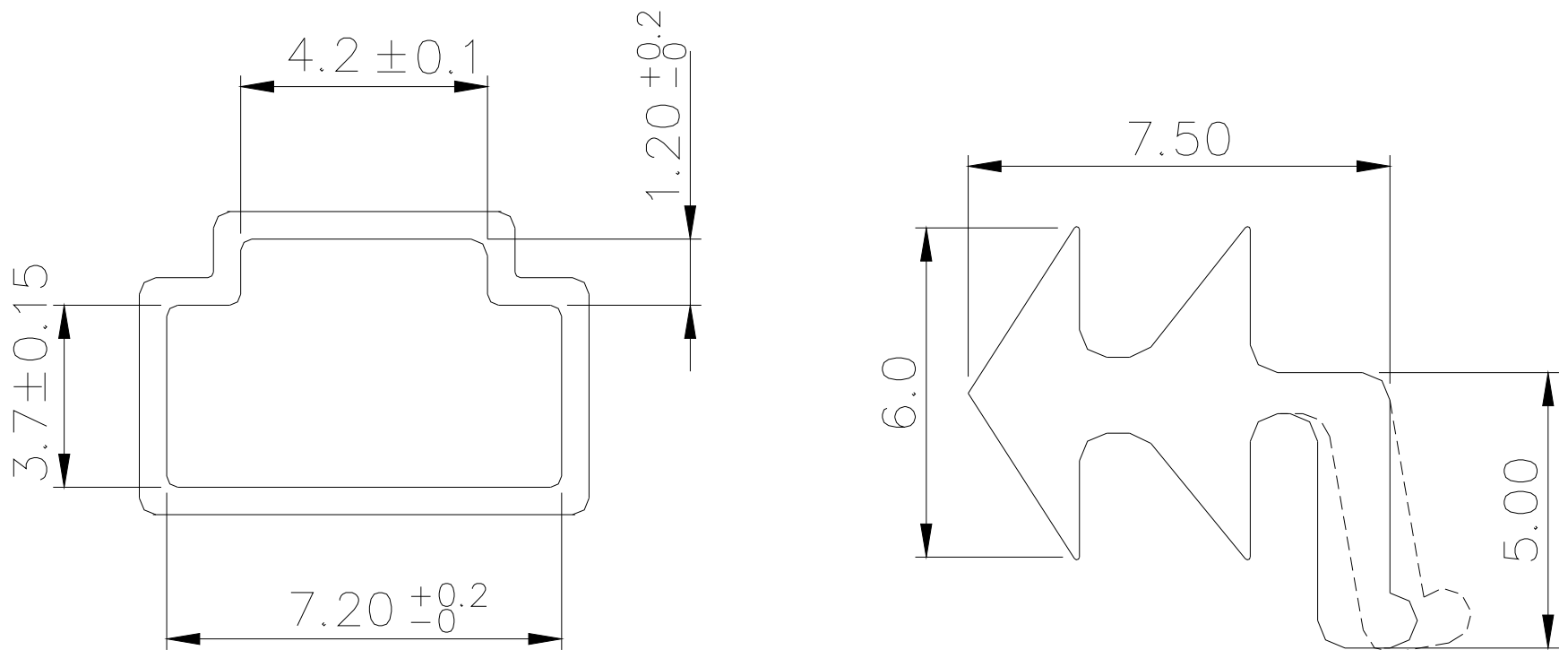
△ Temperature Profile:



# PACKING

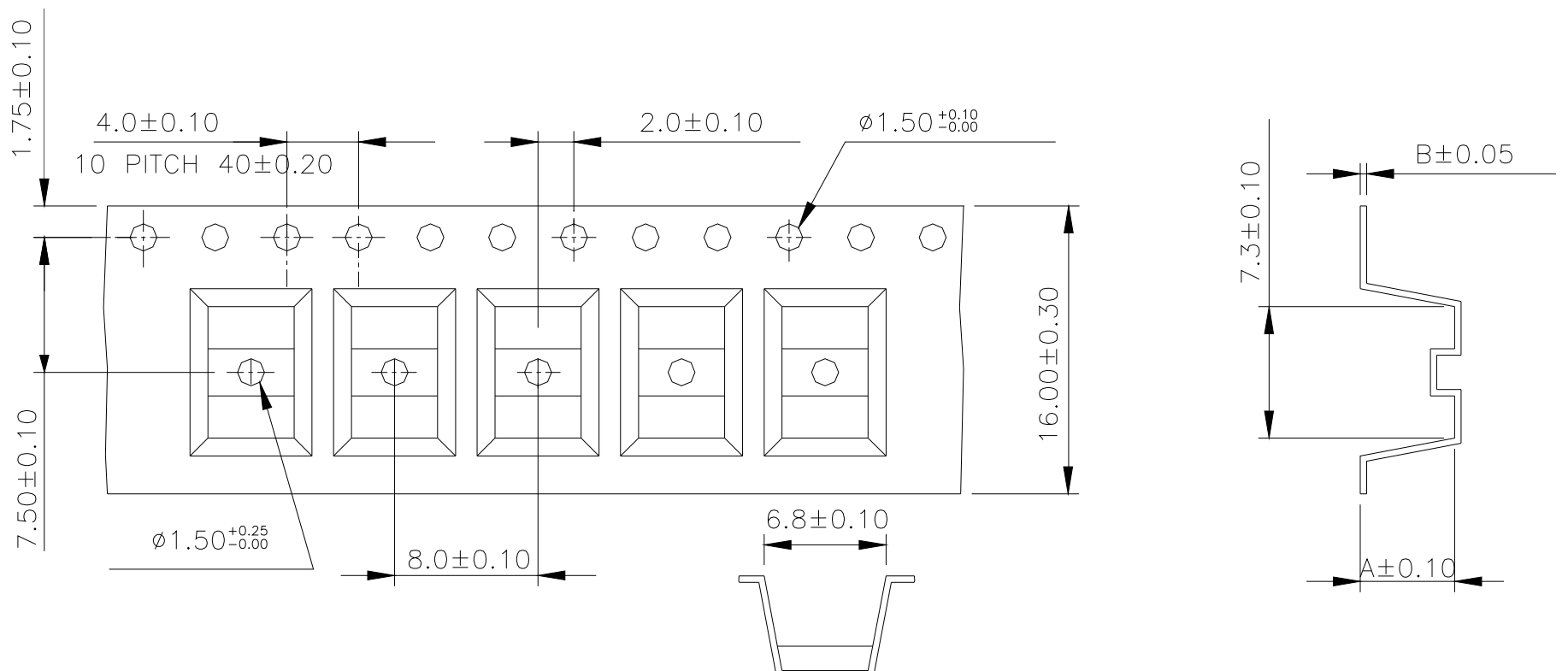
Part Number	Number Per Tube	Number Per Reel
DTSJW-66	75	1900
DTSJW-68	75	2700
DTSJW-69	75	1800
DTSJW-65	75	1900
DTSJW-67	75	900
DTSJW-64	-	900

# TUBE



General Tolerance : ±0.2mm

# REEL



General Tolerance : ±0.1mm